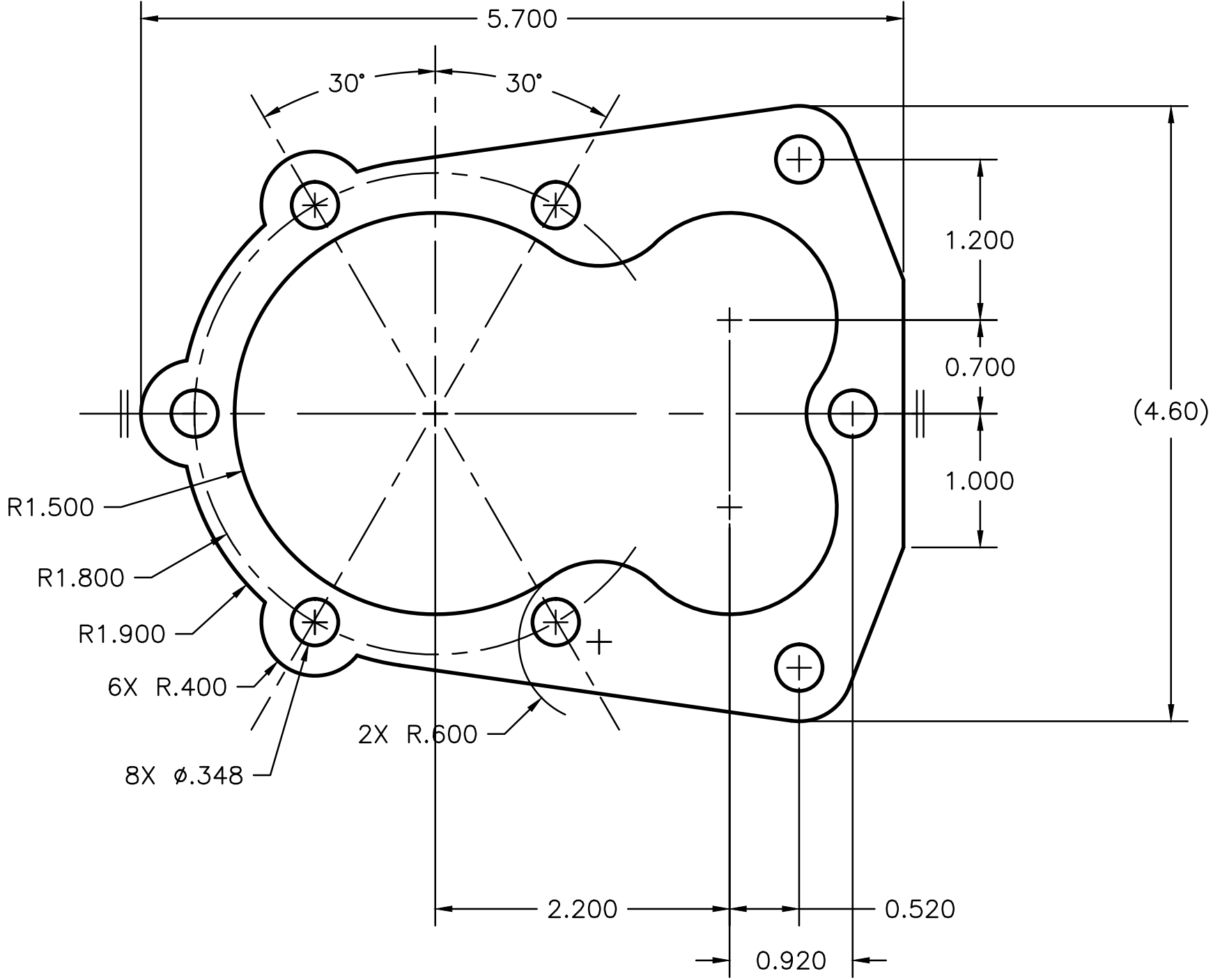


PARTS LIST

| ITEM | QTY | PART NAME | MATERIAL | DESCRIPTION |
|------|-----|-----------|-----------------|----------------|
| 1 | 1 | GASKET | GASKET MATERIAL | MATL .08 THICK |



LEGEND:

- ϕ DIAMETER
 - R RADIUS
 - ° DEGREES
-

DIGITAL DESIGN
GRAPHIC
TECHNOLOGY

NAME: E. PEREZ
COURSE: DDGT 120
DATE: 10-31-12

DWG NAME: GASKET
SCALE: 1:1

SHEET NO:
1 OF 1